

**BRANCH
LOCATIONS**

APE WEST COAST

2985 Loomis Rd.
Stockton, CA 95205
Ph: (209) 942-2166
Fx: (209) 942-2455
(888) 245-4401
chrisc@apevibro.com

APE GULF

3975 FM Hwy 1485
Conroe, TX 77306
39266 Doyle Dr., Ste. A
Gonzales, LA 70737
Ph: (936) 271-1044
Fx: (936) 271-1046
(800) 596-2877
joew@apevibro.com

APE NORTHEAST

401 Hartle St.
Sayreville, NJ 08872
Ph: (732) 432-6604
Fx: (732) 432-6608
(888) 217-7524
billz@apevibro.com
paulk@apevibro.com

APE MID-WEST

50 Gerber Industrial Dr.
St. Peters, MO 63376
Ph: (636) 397-8400
Fx: (636) 278-4278
(877) 296-8044
edc@apevibro.com

APE MID-ATLANTIC

500 Newtown Rd., #200
Virginia Beach, VA 23462
Ph: (757) 518-9740
Fx: (757) 518-9741
(866) 399-7500
jimmyd@apevibro.com

APE CORPORATE

7032 South 196th St.
Kent, WA 98032
Ph: (253) 872-0141
Fx: (253) 872-8710
(800) 248-8498
stevec@apevibro.com
kellyg@apevibro.com
chrisw@apevibro.com

APE SOUTHEAST

1345 Industrial Park Rd.
Mulberry, FL 33860
Ph: (863) 324-0378
Fx: (863) 318-9409
(800) 570-3844
jimb@apevibro.com
jimc@apevibro.com
wallyb@apevibro.com

APE CANADA

1002 7th Street
Nisku, Alberta T9E 7P2
Ph: (780) 474-9888
(855) 328-9888
coling@apevibro.com

APE MEXICO

Avenida Periferico Sur 7800
Sta. Mia Tequetexpan
Tlaquepaque, Guadalajara Jalisco
Mexico CP. 45601
Ph: (786) 991-6875
Fx: (253) 872-8710
1-877-457-5022
frankis@apevibro.com

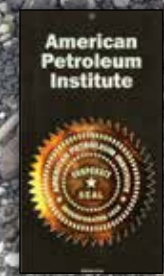
APE PILING

PRODUCTS
24430 FM 1488, Ste. A
Magnolia, TX 73355
Ph: (936) 372-9760
mattff@apedrilling.com



**APE HD™
PILING**

**DEEP FOUNDATION
SOLUTIONS**

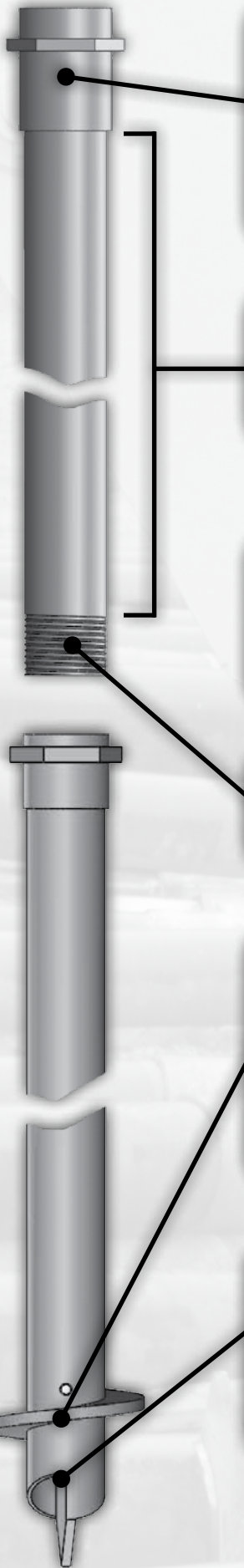


The APE product line is protected by, but not limited to the following patent numbers:
5088565A, 5117925A, 5263544A, 5529132A, 5544979A, 5609380A, 5653556A,
5794716A, 6039508A, 6386295B1, 6427402B1, 6431795B2, 6447036B1, 6543966B2,
6648556B1, 6672805B1, 6732483B1, 6736218B1, 6896448B1, 6908262B1, 6942430B1,
6988564B2, 7168890B1, 7392855B1, 7694747B1, 7708499B1, 7824132B1, 7854871B1,
7913771B2, 7950876B2, 7950877B2, 8070391B2, 8181713B2, 8186452B1, 8434969B2,
8496072B2, 2009020005A1. For a more detailed information and a more comprehensive
list of APE patents please visit the website at www.apevibro.com/ver2/APEpatents.asp.

800-248-8498
WWW.APEVIBRO.COM



800-248-8498
WWW.APEVIBRO.COM



THREADED COUPLER WITH SOCKET DRIVE TECHNOLOGY

- COUPLERS WITH THE APE PATENTED THREAD CONNECTION ELIMINATES MAKE UP PAST THE MIDPOINT
- ADD UNLIMITED ADDITIONAL PILE SECTIONS
- ALL CUT OFF COUPLERS ARE PROPERTY OF APE

SHAFT SECTION

- DOM SEAMLESS API CASING
- SHAFT SECTIONS FROM 4 TO 40 FOOT LENGTHS

GEO-EXCHANGE TECHNOLOGY

- APE HD™ HELICAL PILE MATERIAL CAN BE USED WITH APE PATENT PENDING CLSCW TECHNOLOGY TO HEAT AND COOL STRUCTURES USING THE STEEL PILE FOUNDATION AND A GROUND SOURCE HEAT PUMP

THREADED ENDS

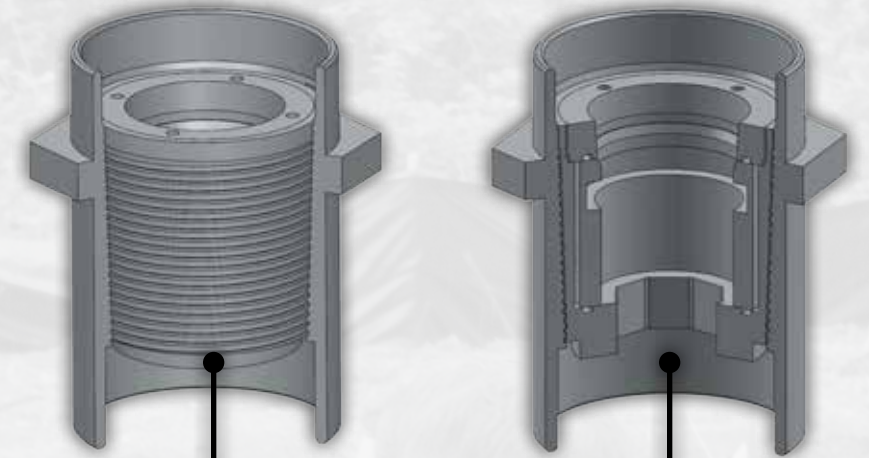
- ADD UNLIMITED ADDITIONAL PILE SECTIONS

HELICAL PLATES

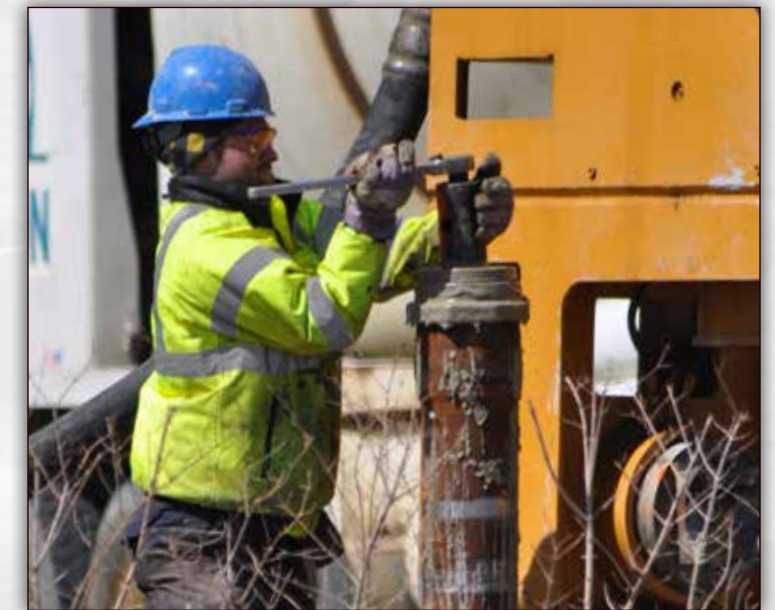
- 1 HELIX FOR EACH PILE, OR MULTIPLE 10" TO 36" O.D. CLOCKWISE HELICAL PLATES
- 1/2" TO 2.0" THICK
- PITCH 4" TO 12"
- TENSILE STRENGTHS FROM 50,000 PSI TO 100,000 PSI

PILE TIPS

- VARIOUS OPEN ENDS
- VARIOUS CLOSED END DIGGING TIPS
- GEO-EXCHANGE DOUBLE-PLATED CLOSED-END
- TIPS FOR GROUT INJECTION



EASY INSTALLATION OF GROUT PLUGS



SHAFT SECTION SPECIFICATIONS							
API in lbs / ft	Units	API 13.5	API 23	API 29	API 53	API 60	API 68
Diameter	in	4.5	5.5	7	9.625	11.75	13.375
	mm	114.30	139.70	177.80	244.48	298.45	339.73
Thickness	in	0.290	0.415	0.403	0.472	0.489	0.514
	mm	7.37	10.54	10.24	11.99	12.42	13.06
Inside Diameter	in	3.92	4.67	6.184	8.681	10.772	12.347
	mm	99.57	118.62	157.07	220.5	273.61	313.61
Area (A)	in ²	3.83	6.63	8.45	13.57	17.30	20.77
	mm ²	2,471	4,277	5,451	8,756	11,161	13,400
Section Modulus (Z)	in ³	3.79	7.84	13.16	33.40	46.76	60.51
	mm ³ / 10 ³	62.18	128.50	215.70	547.50	766.30	991.80
Moment of Inertia (I)	in ⁴	8.54	21.57	46.07	160.80	274.70	404.70
	mm ⁴ / 10 ⁶	3.55	8.98	19.18	66.93	114.40	168.50

Yield API L-80 to API P-110 (80,000 to 110,000 psi) - API ISO Certified Manufacturer

